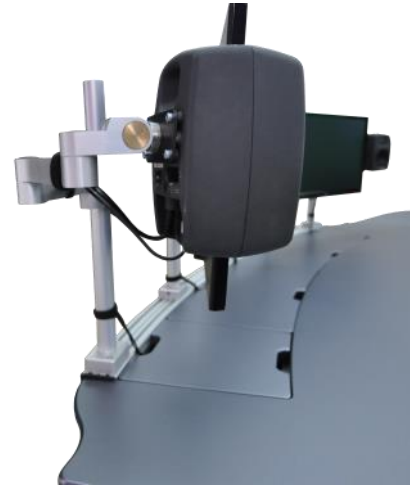


Screen



EM Screen Mounts

EMA Screen Arms

Mode-AL have designed and manufactured a robust and visually appealing range of screen arms. These have been specifically designed to take the heavy loads of broadcast monitors (up to 15kg).

Manufactured from machined and extruded aluminium and anodised natural (silver) as standard, these arms are available in standard arrangements and custom arrangements. As with all Mode-AL products, we will customise these screen mounts to suit your exact requirements.

EMA Screen arms are designed to fit our monitor stacks and Plasma stands perfectly with a choice of 3 different types of fitment.

EMA-01x Oval extrusion mount - this arm can be mounted at any point on the oval extruded legs and are ideal for additional screens and are fully articulated screen mounts.

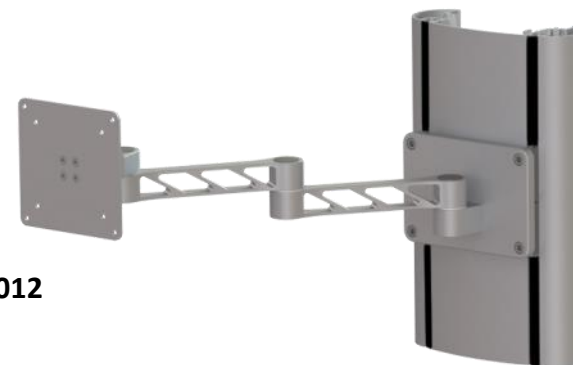
EMA-010



EMA-011



EMA-012



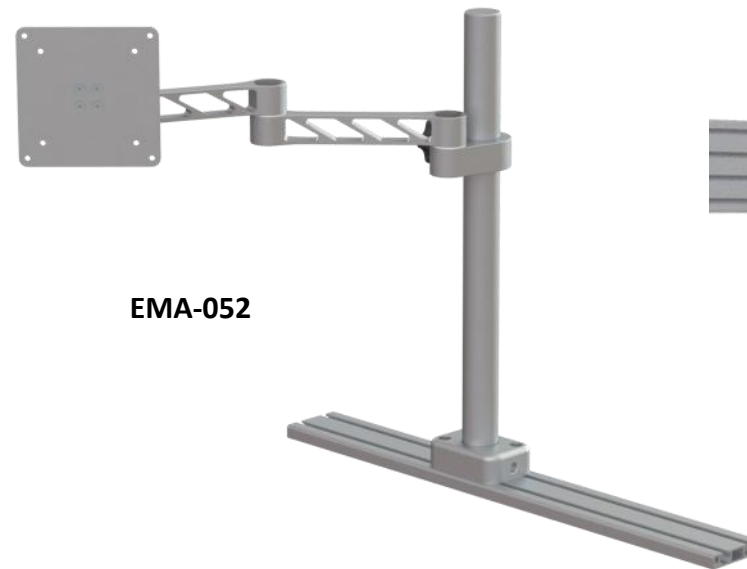
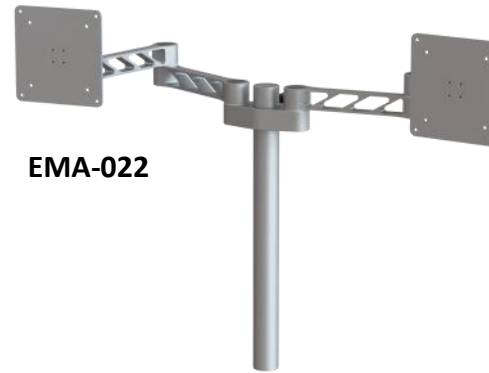
Designed for Monitor stacks and Plasma stands

EMA-02x and 03x Pole mount long and short, to be mounted on the top or bottom beam of a stack to allow additional monitors or other equipment speakers, clocks, on air lights etc. to be mounted

EMA-02x and 3x can also be used for mounting onto the end of beams for additional screen mounts on a plasma stand.

EMA-04x Beam face mounts - for mounting onto the front face of the beams for additional screens or other equipment.

EMA-05x Track mount - this derivative of our Edit desk track mount system allows the same functionality found on our edit desks, where the arms can be slid along the track to the optimum position. The track can be specified to the exact length required and comes complete with all fixings and end caps. It is designed to go through minimum of 18mm [3/4"] to maximum 32mm [1 1/4"] MDF and is a simple way of re-tasking existing furniture with a highly versatile screen mounting system.



EM Screen Mounts

EMA-09x Simple desk top mount with multiple fixing points and pole height adjustment. The simplest way to mount a screen arm on a desk top. All you need to do is drill 1 hole and adjust the pole to the correct height.



EMA-122 - A 3u screen arm allowing any monitor to be mounted into a 19" rack regardless of size. This simple little arm allows full access to the screen and to the cable access ports behind.

EMA-11x The Mode-AL wall mounted swing arm is the ideal option for quick and easy installation. It offers versatility to be able to tilt and pan the screen to suit any needs.

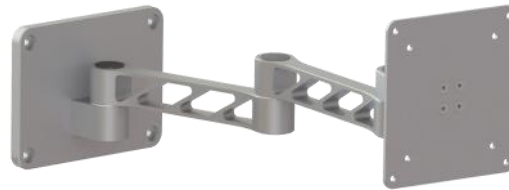
EMA-110



EMA-111



EMA-112

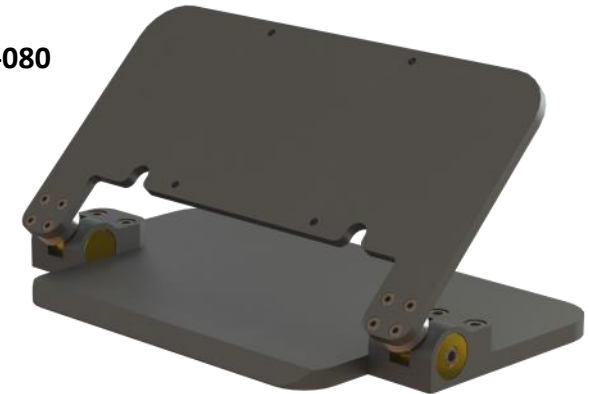


EMA-114



EMA-080 The low level screen mount is the perfect accompaniment to touch screens manufactured from all machined aluminium and having very soft feet allows the operation of the touch screen without the screen moving on the desk.

EMA-080



EMV-114 Twin screen wall mount

Twin and triple screen wall mounts and extrusion mounts can be custom manufactured to your requirements. Please contact Mode-AL for further details.

Mode-AL Ltd UK Headquarters

Unit 32 Riverside Way

Uxbridge

Middlesex

UB8 2YF

Tel: +44 (0) 20 3398 3398

Email: sales@mode-al.com

